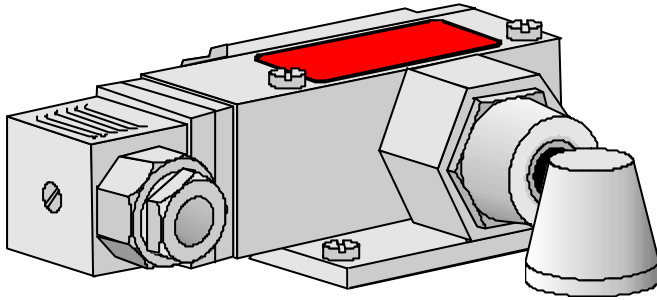


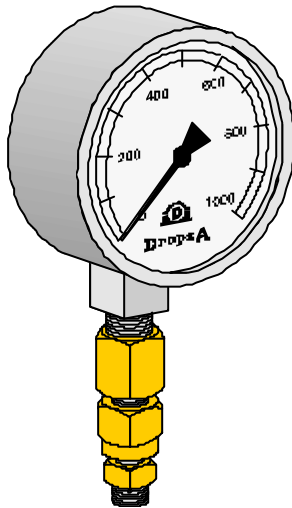
Max. Electric Level Contact.



All metal reservoirs (except 3 and 5 litres) can be equipped with a Max. electric level contact for automatic re-filling of the reservoir.
Reservoirs for grease.

Electric contact **Part No. 299197.**
Reservoirs for oil.
Electric contact **Part No. 291155.**

Pressure Gauge.



Available for different pressure ranges.

Part No. 299196 0 to 500 bar.
Part No. 291395 0 to 1000 bar.

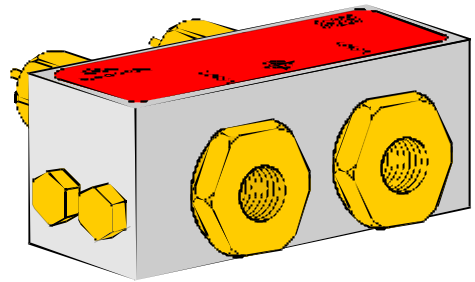
Assembly Kit.

999 series pumps can be equipped with a kit consisting of: Re-filling Filter; Pressure Gauge; Safety By-pass Valve and Base Plate. To order the Assembly Kit see the table below.

Last digit of pump Part No.	Assembly Kit with By-pass Valve	
	1 Pumping unit	2 Pumping Units
4	299462	299463
6	299462	299463
2	299474	299475

Change Over Valve (Inverter).

For use with Dual Line Systems. An adjustable change

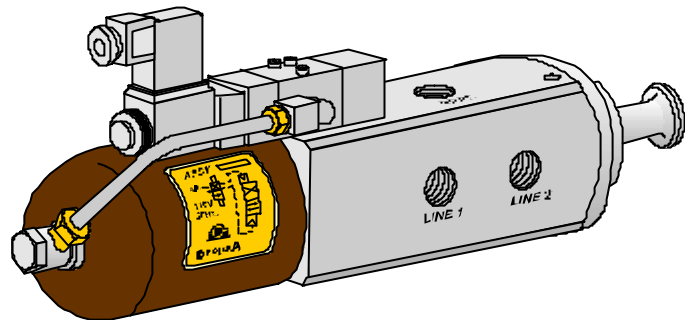


over valve (automatic change over when the pressure exceeds a fixed value) available in the following types:
Hydraulic Inverter.

It controls automatically the lines' pressurisation inversion when the pressure value set on the adjusting valve is reached.

Part No. 86198 for pressures up to 50 bar.
Part No. 86199 for pressures up to 300 bar.
Part No. 86200 for pressures up to 200 bar.

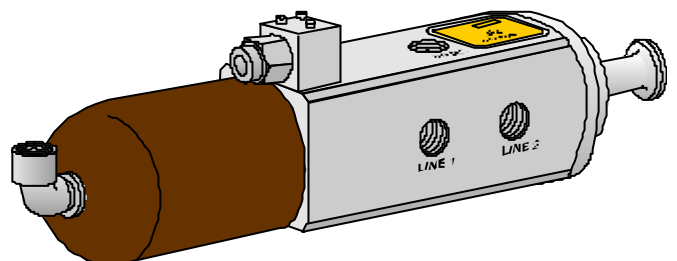
Electro/pneumatic Inverter.



It controls the lines' pressurisation inversion through a solenoid valve connected to the system's electrical equipment and to the end of line pressure switch.

For pressures up to 500 bar.
Part No. 83300 with electric valve 110V – 50Hz.
Part No. 83304 with electric valve 220V – 50Hz.
Part No. 83308 with electric valve 24V – 50Hz.
Part No. 83309 with electric valve 24V d.c.

Pneumatic Inverter.



Similar to the electro-pneumatic inverter but without solenoid valve; it is operated through a pneumatically driven control directly from customer's equipment.
Part No. 83301